



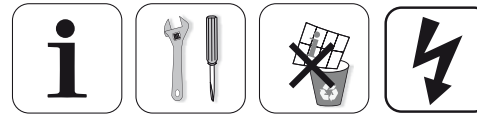
www.esbe.se



SERIES ARA600 3-Point



NO.1 IN HYDRONIC SYSTEM CONTROL



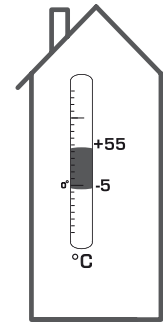
Series ARA6_1
 Series ARA6_2
 Series ARA6_3
 Series ARA6_4
 C €
 LVD 2006/95/EC
 EMC 89/336/EEC
 RoHS 2002/95/EEC



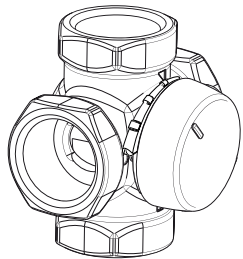
ARA600



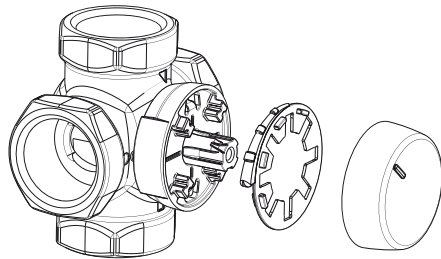
Mtrl.nr. 9814 02 75 • Ritn.nr. 8081 utg. C • Rev. 0804



1

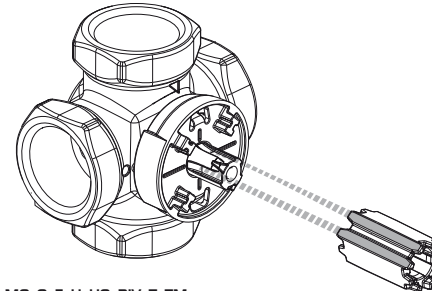


2

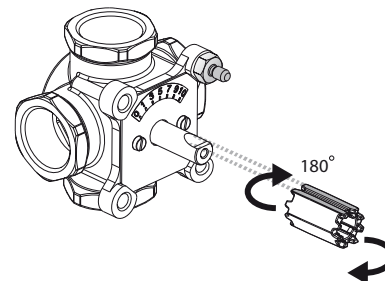


3

VRG130, VRG140, VRG230, VRB140



MG, G, F, H, HG, BIV, T, TM

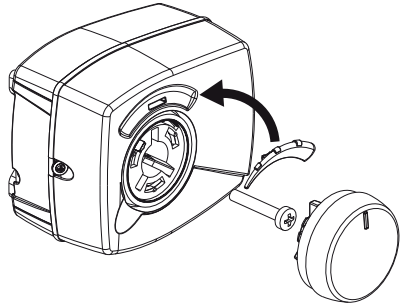


4

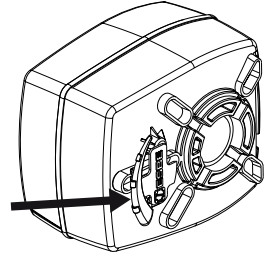
MG, G, F, H, HG, BIV, T, TM

	DN15-25	
	DN20-40	
	DN50	
	DN20-25	
	DN32-50	
	H: DN25	
	H: DN32-50	
	HG: DN25	
	DN20-22	
	DN25	
	T: DN20-32	
	TM: DN20	

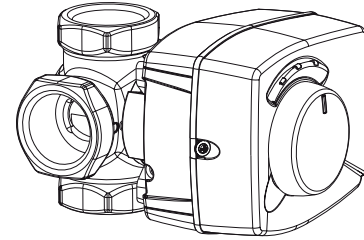
5a



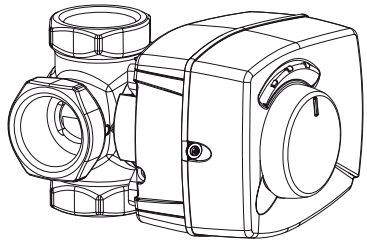
5b



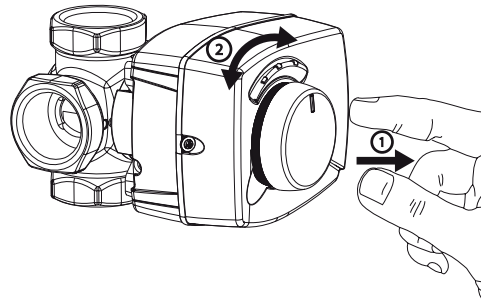
6



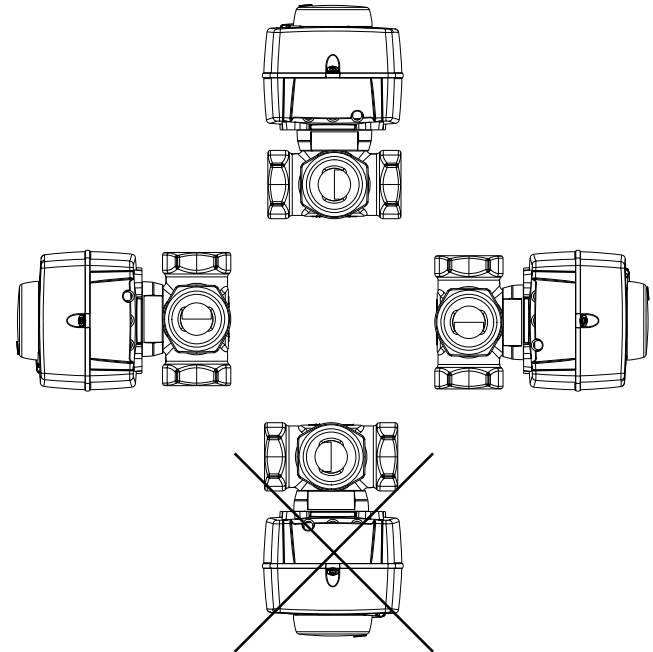
7

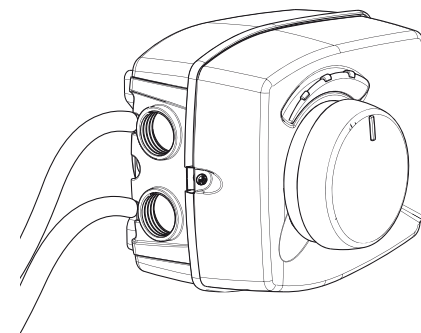
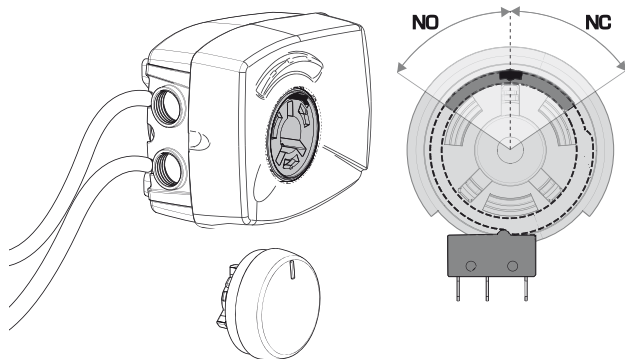
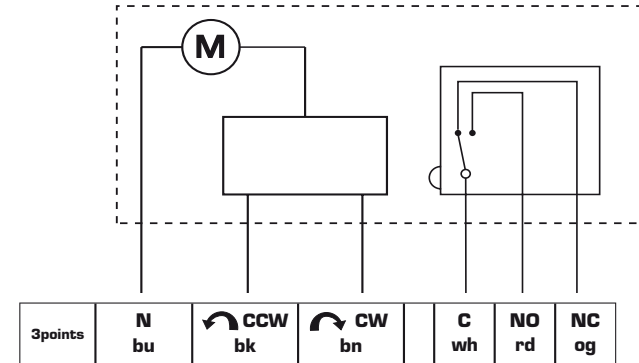
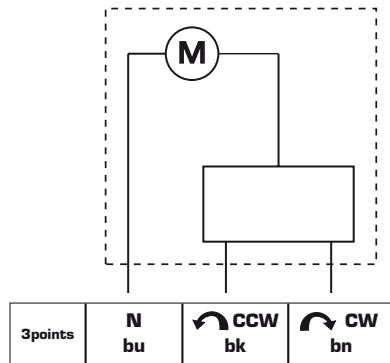


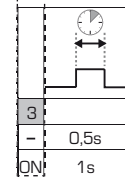
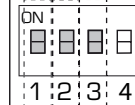
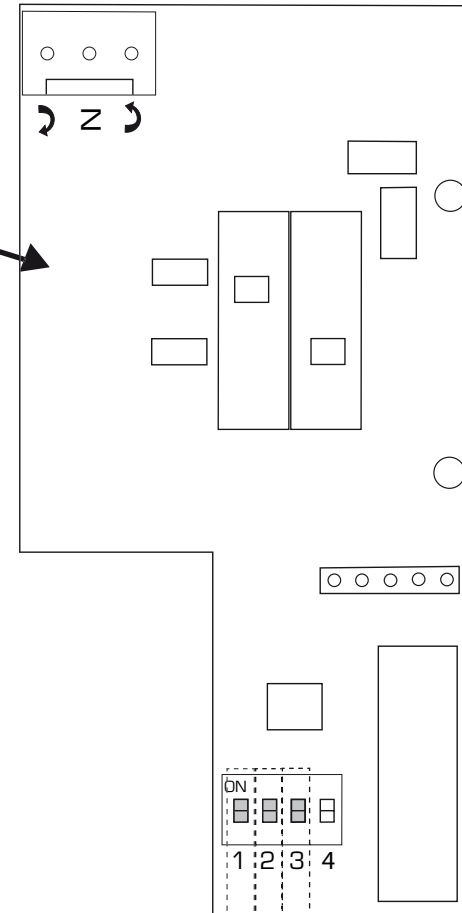
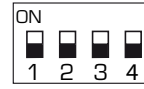
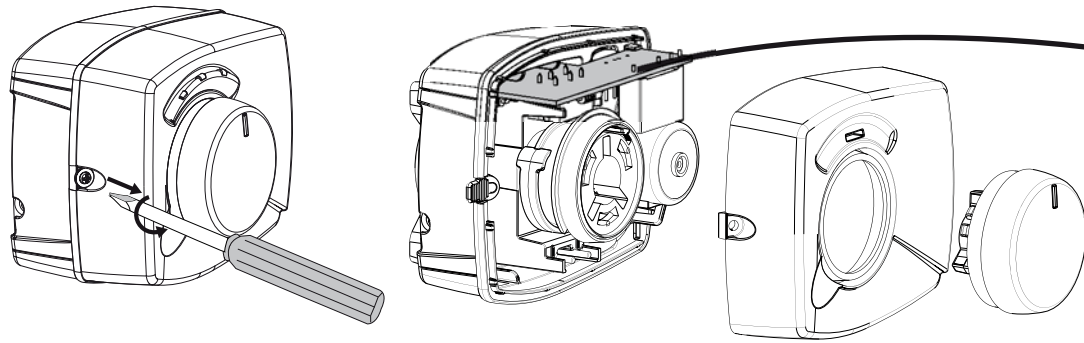
8



9







1	2		
-	-		120s
-	ON		240s
ON	-		480s
ON	ON		1200s