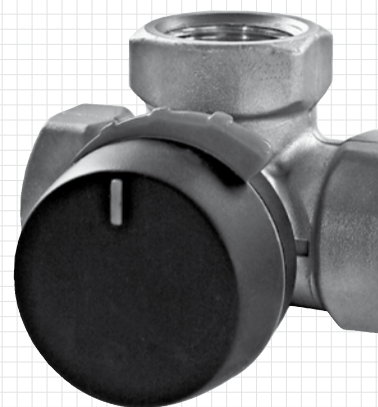




www.esbe.se



**SERIES VRG130**



**NO.1 IN HYDRONIC SYSTEM CONTROL**



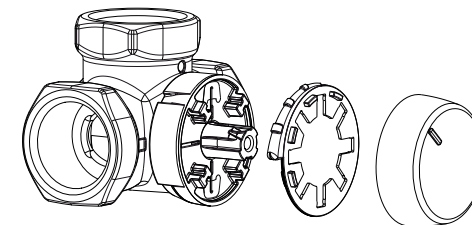
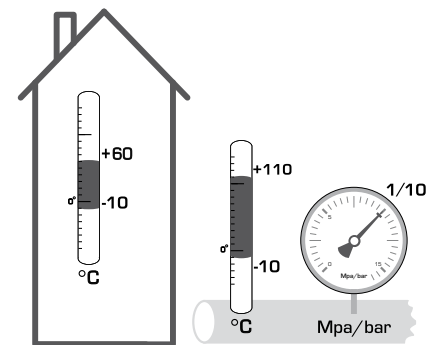
Series VRG131

Series VRG132

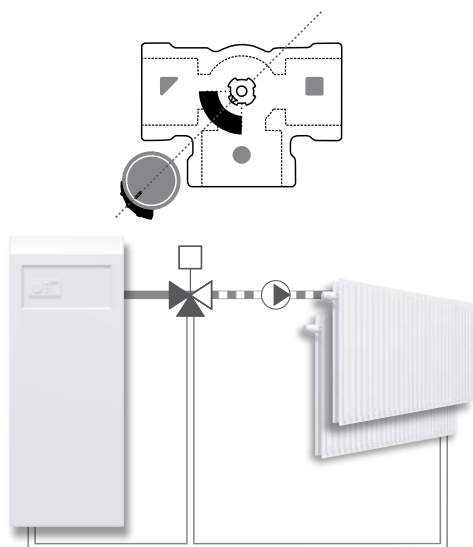
Series VRG133

CE

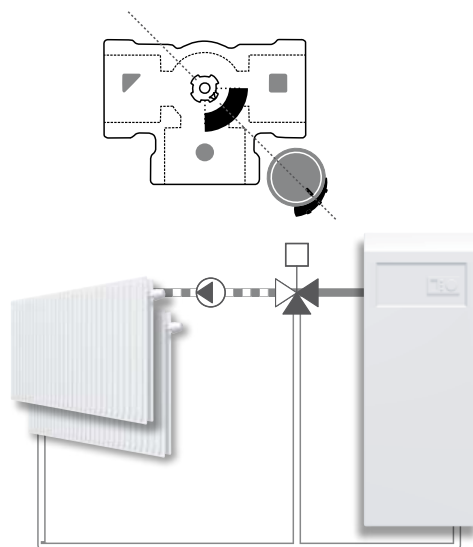
Pressure Equipment Directive 97/23/EC



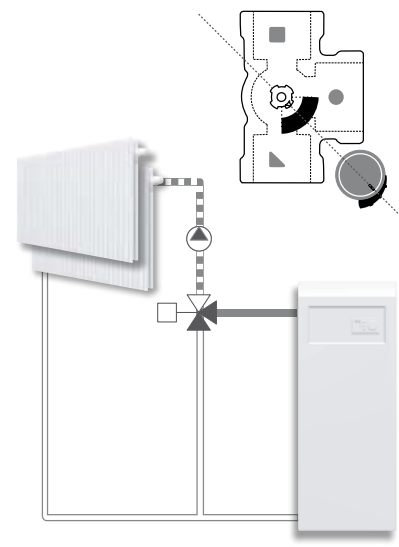
**1a**



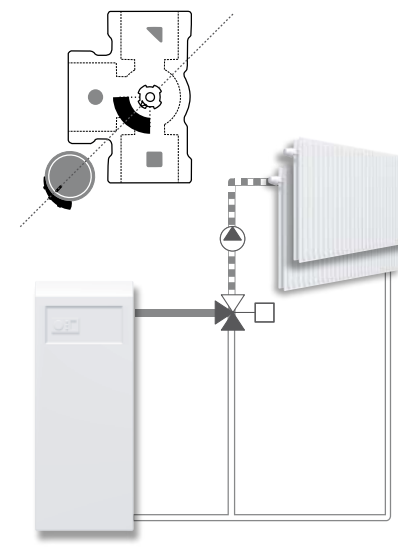
**1b**



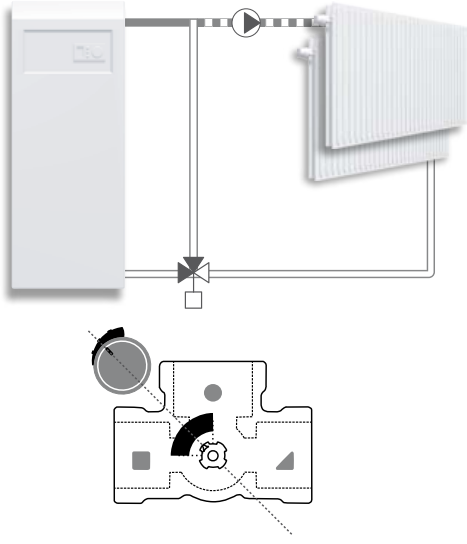
**2a**



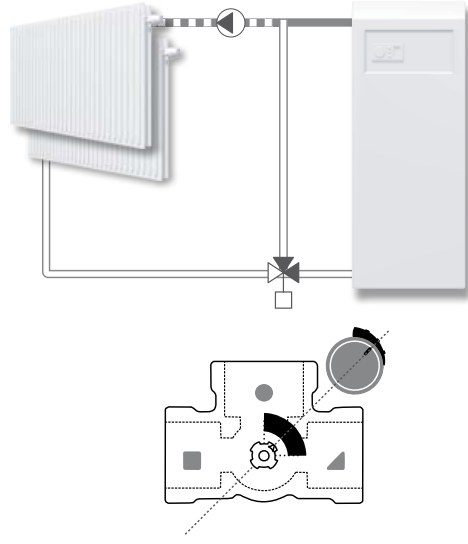
**2b**



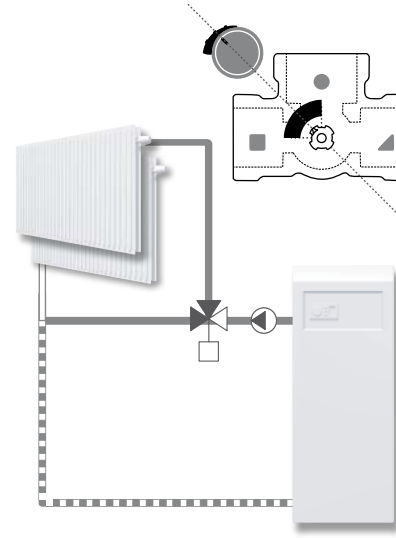
3a



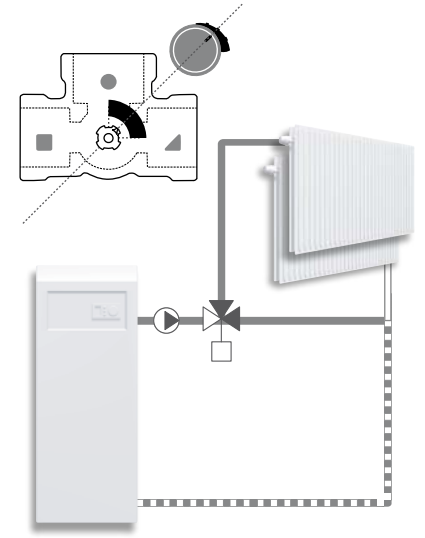
3b



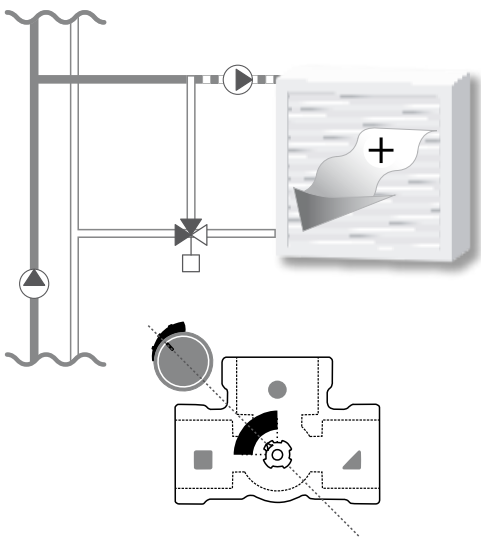
4a



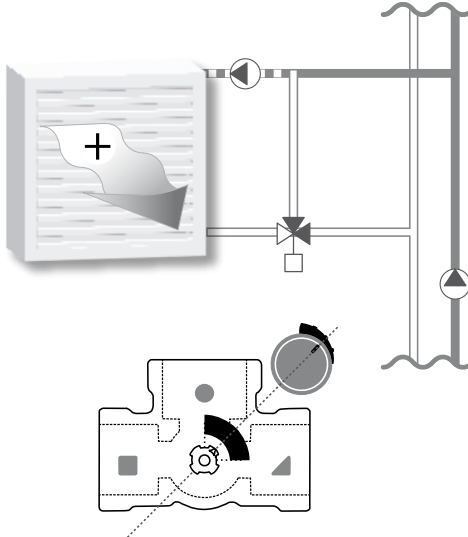
4b



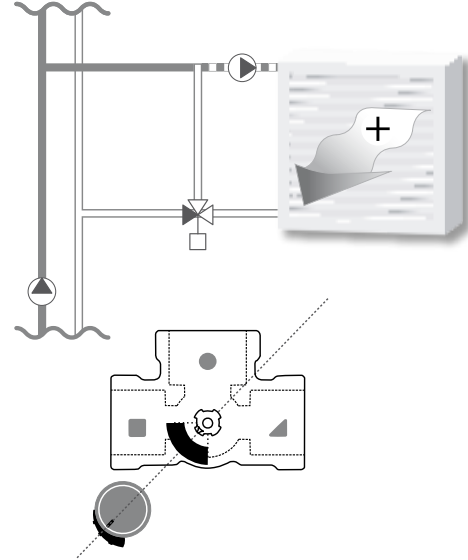
5a



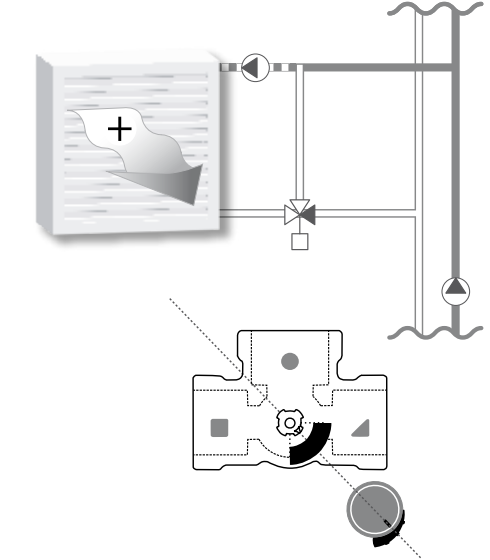
5b



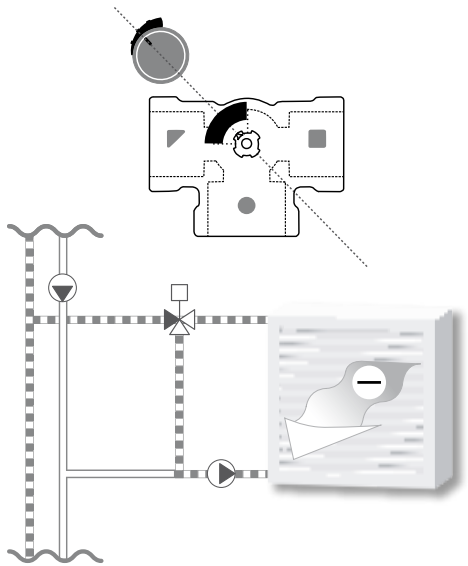
6a



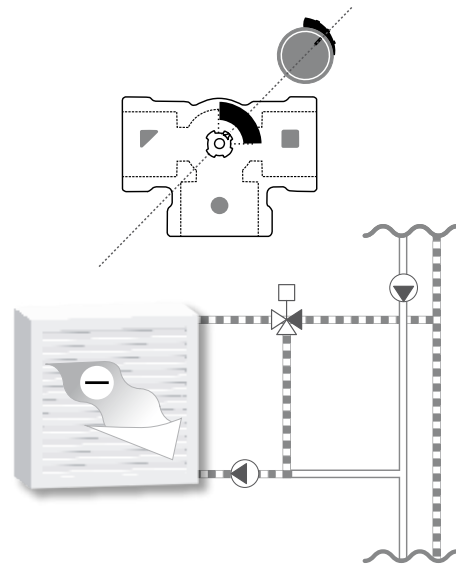
6b



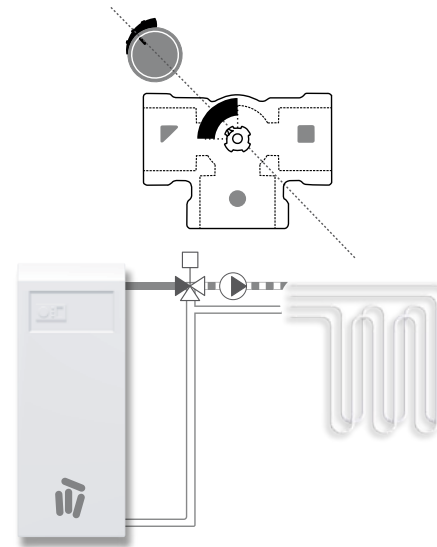
7a



7b



8a



8b

