



www.esbe.se



ADAPTER KIT VRG801



NO.1 IN HYDRONIC SYSTEM CONTROL

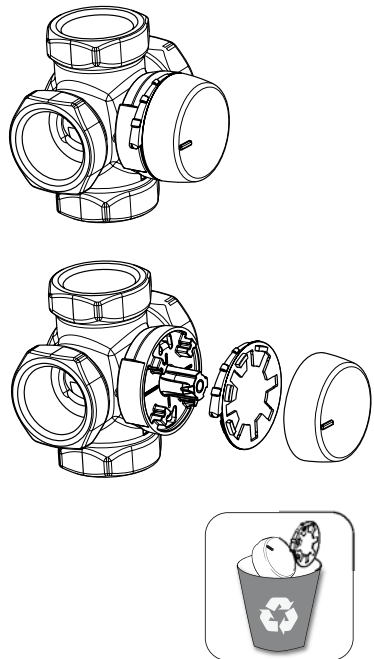


Series 90
Series 90C
Series 90K



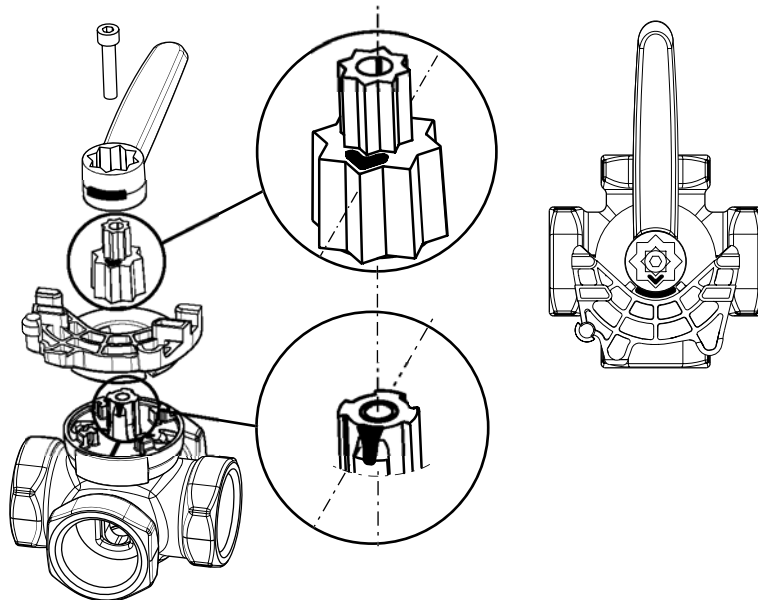
Mtrl.nr. 9814 03 02 • Ritn.nr. 8085 utg. B • Rev. 0806

1



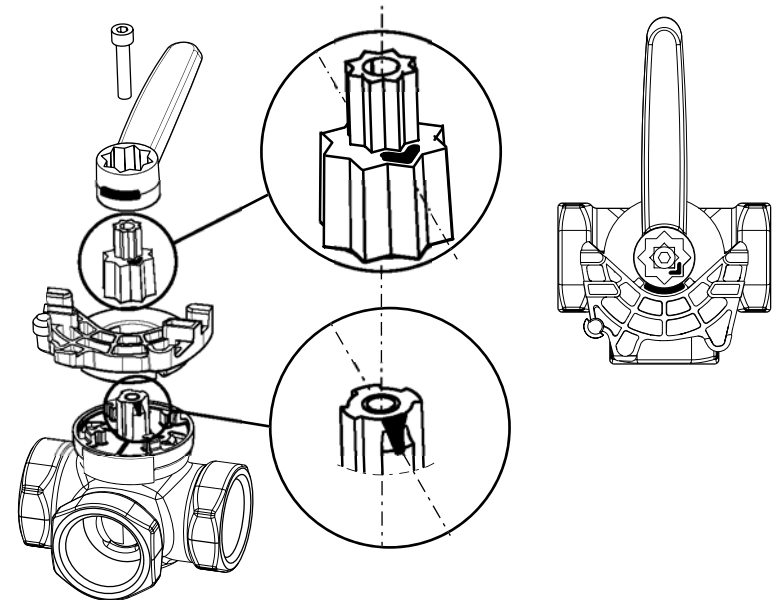
2a

Series VRG140, VRB140



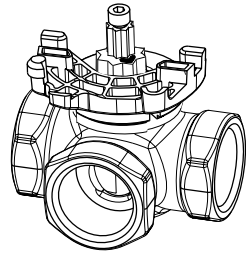
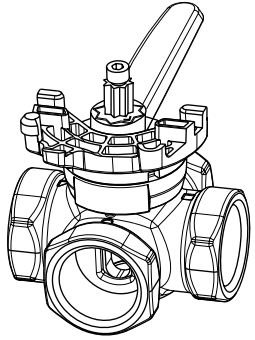
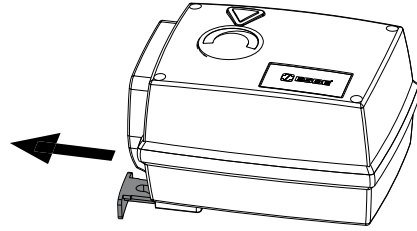
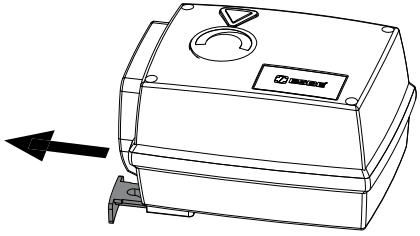
2b

Series VRG130, VRG230, VGR330



3a Series 90 ($\varphi \leq 90^\circ$), 90K

3b Series 90 ($\varphi > 90^\circ$), 92P4, 95-270M, 90C



4

