

AST43LP Class 1 Div 2 Groups A, B, C, D Non-Incendive

Low Pressure Stainless Steel Media Isolated Pressure Sensor



Now With DIN43650A!

OVERVIEW

The AST43LP is a low pressure media isolated stainless steel pressure sensor for use in hazardous areas. In addition to its rugged construction and the best price-to-performance ratio in the industry, the AST43LP is the solution for low pressure measurement for a variety of applications.

BENEFITS

- UL/cUL 1604 (CSA 213) Class 1 Div 2 Groups A, B, C, D
- High Strength Stainless Steel Construction
- No Welds or Internal O-rings
- Wide Operating Temperature Range
- Ranges from 0-5 to 0-15 PSI
- Low Static and Thermal Errors
- Unparalleled Price and Performance
- Compatible with Wide Range of Liquids and Gases
- EMI/RFI Protection

APPLICATIONS

- Refrigeration
- Industrial OEM Equipment
- Pressure Instrumentation
- Gas Compression & Storage
- Vapor Recovery
- Water Management
- Oil & Gas Platforms
- Process Control
- Test Stands
- External Tank Level



Performance @25°C (77°F)

Accuracy*	< ±0.25% BFSL
Stability (1 year)	±0.25%FS, typ
Over range Protection	2X Rated Pressure
Burst Pressure	5X or 10,000 psi (whichever is less)
Pressure Cycles	> 100 Million

* Accuracy includes non-linearity, hysteresis & non-repeatability

Environmental Data

Temperature	
Operating	-40 to 85°C (-40 to 185°F)
Storage	-40 to 100°C (-40 to 212°F)
Thermal Limits	
Compensated Range	0 to 55°C (30 to 130°F)
TC Zero	<±1.5% of FS
TC Span	<±1.5% of FS
Other	
Shock	100G, 11 msec, 1/2 sine
Vibration	10G peak, 20 to 2000 Hz.
EMI/RFI Protection:	Yes
Rating:	IP-66

Electrical Data

Output	4-20mA	1-5VDC, 1-6VDC	0-50mV	0.5-4.5V Ratiometric
Excitation	10-28VDC	10-28VDC	5VDC,typ	5VDC,reg
Output Impedance	>10k Ohms	<100 Ohms, Nominal	1100 Ohms, Nominal	<100 Ohms, Nominal
Current Consumption:	20mA, typ.	<10mA	<5mA	<10mA
Bandwidth	(-3dB): DC to 250 Hz	(-3dB): DC to 1kHz	(-3dB): DC to 5kHz, min	(-3dB): DC to 1kHz
Output Noise:	-	<2mV RMS	-	<2mV RMS
Zero Offset:	<±1% of FS	<±1% of FS	< ±2% of FS	<±1% of FS
Span Tolerance:	<±2% of FS	<±1.5% of FS	< ±2% of FS	<±1.5% of FS
Output Load:	0-800 Ohms@10-28VDC	10k Ohms, Min.	>1M Ohms	10K Ohms, Min.
Reverse Polarity Protection	Yes	Yes	-	No

American Sensor Technologies

450 Clark Drive, Mount Olive, NJ 07828 USA / Tel 973.448.1901 Fax 973.448.1905

Email: info@astsensors.com / Web: www.astsensors.com

Ordering Information

AST43LP A 00005 P 4 L 1 000

Series Type

Process Connection

A=1/4" NPT Male
F=7/16"-20 UNF Male

Pressure Range

Insert pressure range code from chart

Pressure Unit

H= Inches H₂O
P= PSI

Outputs

1= 0.5-4.5V ratiometric
3= 1-5V
4= 4-20mA (2 wire loop powered)
6= 1-6V
A= 10mV/V

Electrical

I= DIN 43650A
L= Conduit fitting, Cable 2ft (0.6m)
M= Conduit fitting, Cable 4ft (1.2m)
N= Conduit fitting, Cable 6ft (1.8m)
P= Conduit fitting, Cable 10ft (3.0m)

Wetted Material

1=316 L

Options

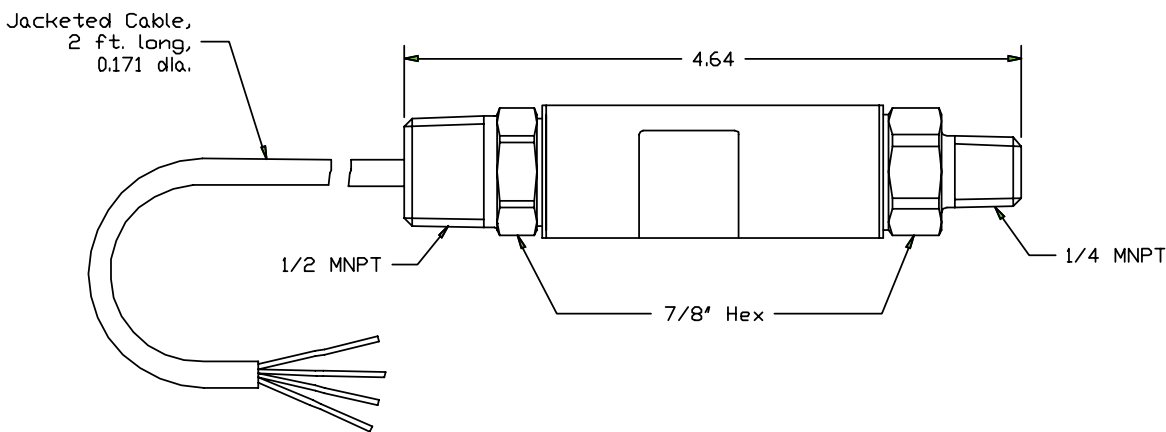
000 = No Options

Pressure Ranges*

Gage PSIG	Pressure Range Code
0-5	00005
0-7.5	00208*
0-10	00010
0-15	00015

*7.5 PSI Sensor must be ordered in inches of H₂O.

Dimensional Data



Warranty

Workmanship - AST, Inc. pressure transmitters have a limited one-year warranty to the original purchaser. AST, Inc. will replace or repair, free of charge, any defective transmitter. This warranty does not apply to any units that have been modified; misused, neglected or installed where the application exceeds published ratings. AST's sensors are **made with pride in New Jersey, USA**. If in the area please feel free to stop by for a visit!

Installation/Applications - The purchaser is responsible for media compatibility, functional adequacy, and correct installation of the transmitter.

www.astensors.com